

Heavy duty nc rotary-linear tables

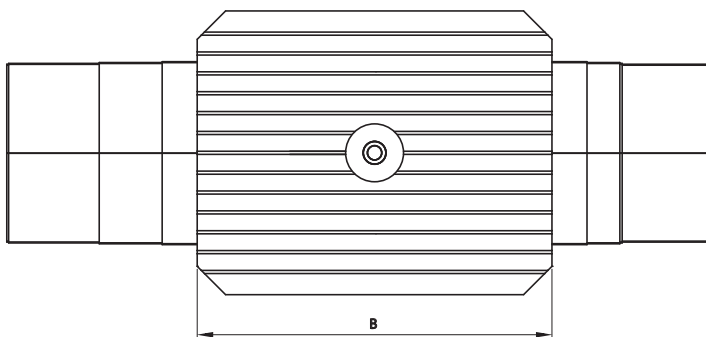
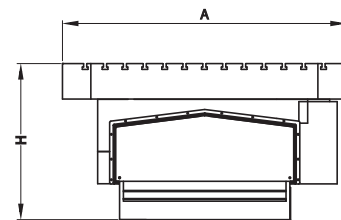
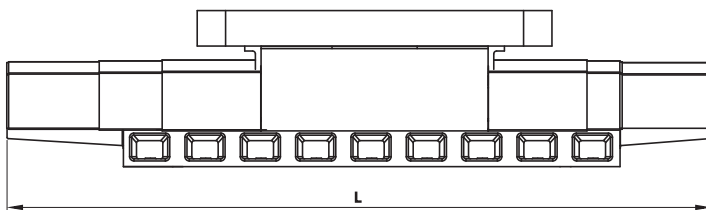
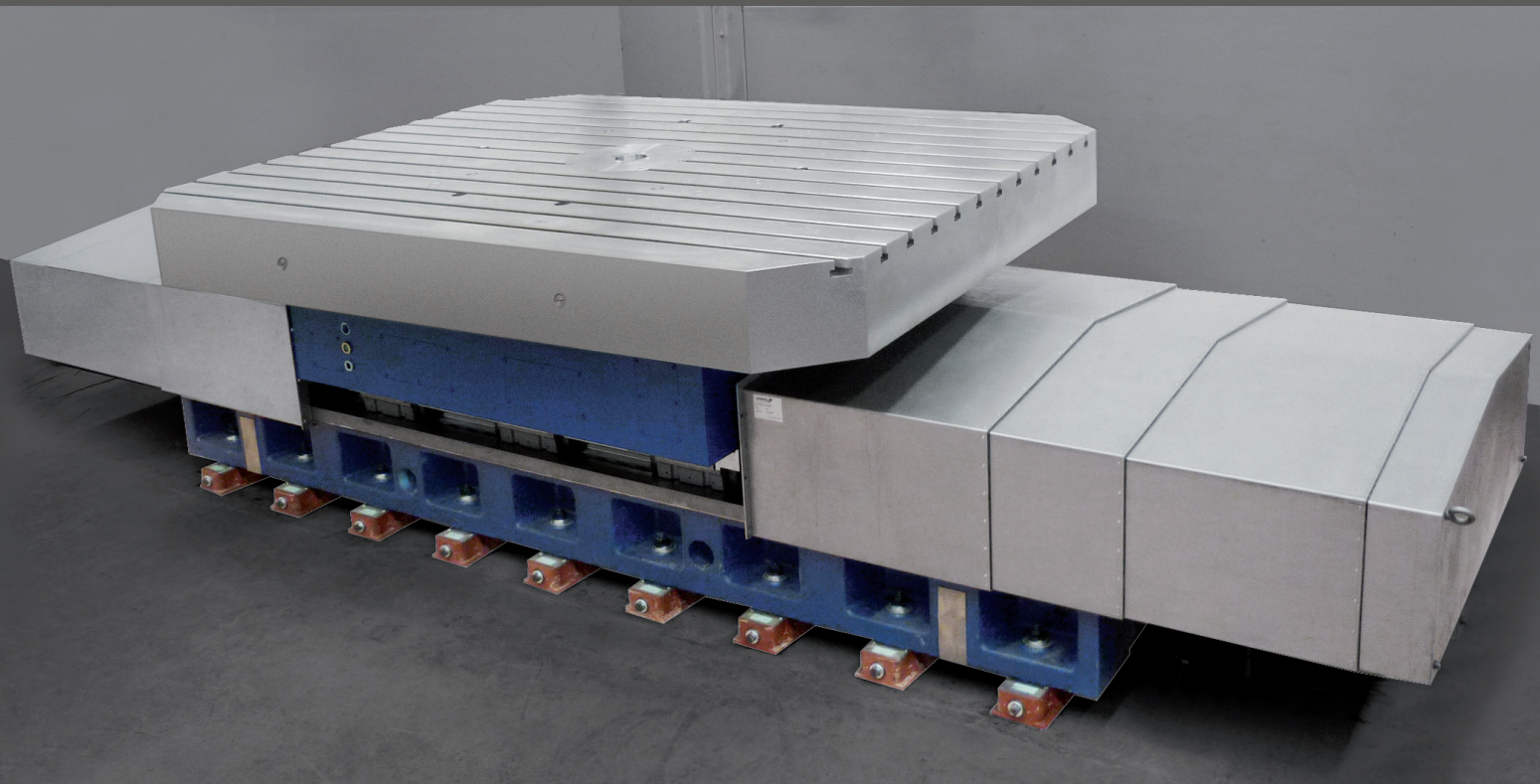
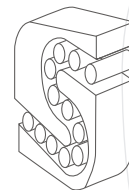


TABLE SIZE (A x B)	MAX. LOAD	TRAVEL	H	L
1800 x 1800 M.M.	30 Ton	1000 M.M.	1200 M.M.	4180 M.M.
		1500 M.M.		4680 M.M.
		2000 M.M.		5180 M.M.
		2500 M.M.		5830 M.M.
		3000 M.M.		6480 M.M.
2000 x 2000 M.M.	30 Ton	1000 M.M.	1200 M.M.	4180 M.M.
		1500 M.M.		4680 M.M.
		2000 M.M.		5180 M.M.
		2500 M.M.		5830 M.M.
		3000 M.M.		6480 M.M.
2000 x 2500 M.M.	30 Ton	1000 M.M.	1200 M.M.	4180 M.M.
		1500 M.M.		4680 M.M.
		2000 M.M.		5180 M.M.
		2500 M.M.		5830 M.M.
		3000 M.M.		6480 M.M.



SIDEPALSA

A. INGENIERIA DE AUTOMATISMOS

Tel. +34 946 817 250

Fax +34 946 816 893

Bº Ortuzar, s/n
48213 IZURTZA
Bizkaia · Spain

sidepalsa@sidepalsa.com

www.sidepalsa.com